



## Specifications

### Sizes:

2", 3", 4", 6", 8", 10" & 12"

### \*Maximum Setting:

24 oz./in.<sup>2</sup>

### Standard Setting:

0.5 oz./in.<sup>2</sup> (0.86 in. W.C.)

### Expanda-Seal Pressure Setting:

1.5 oz./in.<sup>2</sup> Minimum  
(Consult Factory for lower settings)

### Temperature Range:

Body and Seal Options for Process Temperature Ranges from -300°F to 500°F

Raised face (except Aluminum) or flat face flange available; ANSI 150 lb, DIN and JIS 10K flanges available.

\* Varied by valve size and weight material. Please consult factory for particular valve size and weight material.

## Materials of Construction

### Body:

Cast Aluminum, Cast Steel, Cast Iron, Ductile Iron or 316 Stainless Steel

### Closed Vent Cover:

Aluminum, Steel or Stainless Steel

### Pallet:

Aluminum or Stainless Steel

### Seat:

Aluminum or Stainless Steel (Field Replaceable)

### Stem & Guide Posts:

Aluminum, Galvanized Steel, Galvanized Iron or Stainless Steel

### Screen:

Galvanized Steel or Stainless Steel

### Diaphragm:

FEP Teflon, PTFE, Viton, Buna N

### Back-up Disc:

N-8090 Fiber, Glass Filled Teflon (GPTFE)

### Closed Vent Cover Gasket:

N-8090 Fiber, Glass Filled Teflon (GPTFE), Viton, Buna N

\* Table D Option 5 for same size inlet and outlet connections has been Obsolete and Replaced by Table D Option 6. Option 5 and 6 dimensions do not match. Consult factory if replacement valve is required.

## Standard Materials of Construction

Service	Body	Open Vent Hood		Seat		Pallets	Stem Guide Tube	Screen	Side Guides
		2, 3, 4, 6 & 8	10 & 12	2, 3, 4	6, 8, 10 & 12				
Norm. Alum.	Cast Alum.	18-8 S.S.	Alum.	Alum.	Alum.	Alum.	Galv. Iron	Galv. Steel	316 S.S.
Cyro Low Temp.	Cast Alum.	Alum.	Alum.	Alum.	Alum.	Alum.	316SS	304 S.S.	316 S.S.
Severe Iron	CI/DI	18-8 S.S.	Alum.	316 S.S.	316 S.S.	316 S.S.	Galv. Iron	304 S.S.	316 S.S.
Severe Steel	Cast Steel	18-8 S.S.	Alum.	316 S.S.	316 S.S.	316 S.S.	Galv. Iron	304 S.S.	316 S.S.
Severe 316SS	Cast 316SS	316 S.S.	316 S.S.	316 S.S.	316 S.S.	316 S.S.	316 S.S.	316 S.S.	316 S.S.

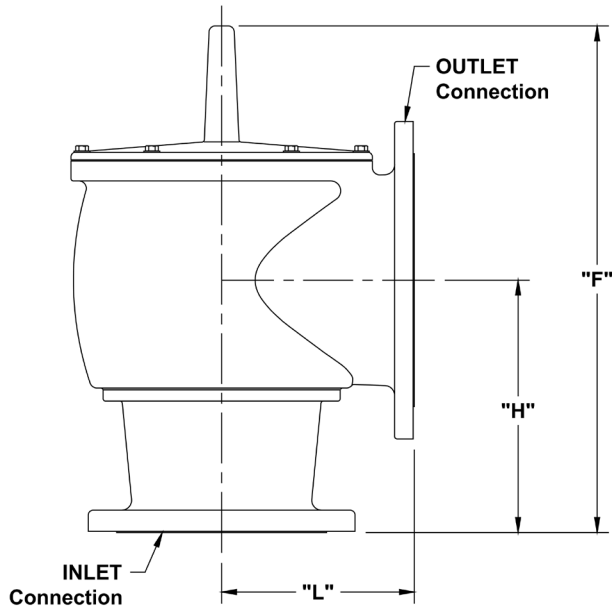
Service	Pallet Stem Pressure Side	Diaphragm	Closed Vent Cover		Cover Gaskets	Hardware
			2, 3, 4	6, 8, 10 & 12		
Norm. Alum.	316 S.S.	FEP	Aluminum	Aluminum	N-8090	Steel, Zinc Plated
Cyro Low Temp.	316 S.S.	FEP	Aluminum	Aluminum	N-8090	316 S.S.
Severe Iron	316 S.S.	FEP	Steel	Steel	N-8090	316 S.S.
Severe Steel	316 S.S.	FEP	Steel	Steel	N-8090	Steel, Zinc Plated
Severe 316SS	316 S.S.	FEP	316 S.S.	316 S.S.	N-8090	316 S.S.

N-8090 = Nitrile Fiber Composition FEP = Teflon CI = Cast Iron DI = Ductile Iron

# 94130 Pressure Relief Vent



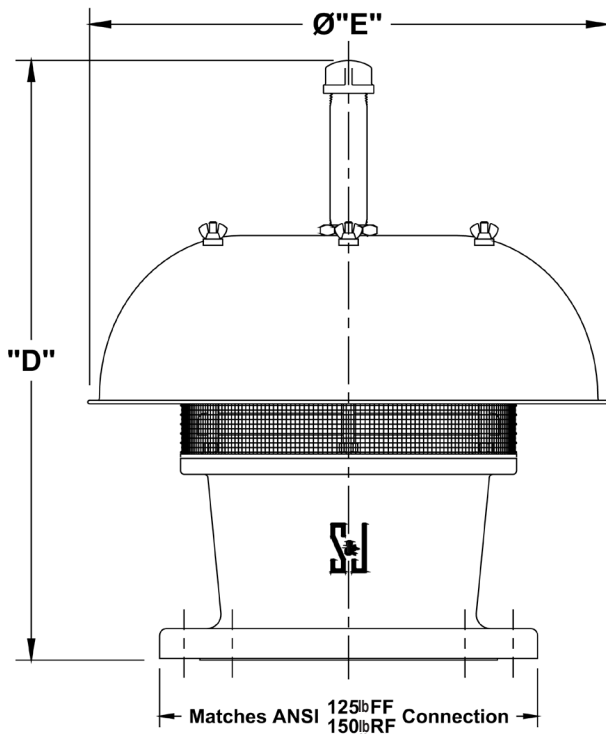
## 94130 Closed Vent



Vent Size	"F"	"H"	"L"
2" x 2"	11 1/4	5 1/32	4 1/4
2" x 3"	11 1/8	5 1/32	4 1/4
3" x 3"	13 1/4	5 9/16	5 1/4
3" x 4"	13 3/4	5 31/32	5 1/4
4" x 4"	20 3/8	7	6 1/2
4" x 6"	15 3/4	7 1/32	5 15/16
6" x 6"	21 1/4	9 3/8	8 3/8
6" x 8"	21 1/4	10 11/32	8 1/4
8" x 8"	25 1/2	11 11/16	9 3/4
8" x 10"	26 3/16	12 23/32	9 3/4
10" x 10"	30	13 7/8	11 19/32
10" x 12"	30 1/4	14 29/32	11 19/32
12" x 12"	33 7/8	16 1/4	12 13/16
12" x 14"	33 7/8	16 7/8	12 13/16

All designs subject to change. Certified dimensions and specifications available upon request.

## 94130 Open Vent



Vent Size	"D"	Diameter "E"
2"	11 1/8	12 7/8
3"	13 3/4	13 9/16
4"	15 3/4	15 15/16
6"	18 3/4	18 5/8
8"	21 1/4	18 5/8
10"	28 1/8	25 1/16
12"	32 1/4	29 7/8

All designs subject to change. Certified dimensions and specifications available upon request.



## 94130 Ordering Guide

### Model Number Selection

The model number will consist of a base number **94130** followed by 8 digit numbers. These digits will represent 6 option tables.

**94130 - AB - CD - EF - GH**

### Ordering Information

Specify:

1. Model 94130 Pressure Relief Vent
2. Size and Body Material
3. Type of Venting
  - A) Open Vent
  - B) Closed Vent
4. Pressure Setting Required
5. Cleaning for Oxygen Service or Other Special Cleaning
6. Optional Materials of Construction, If Required
7. To Specify CE for Ordinary EU Locations use 94130C AB CD EF GH
8. To Specify ATEX Certification for Group IIB, IIA EU Locations use 94130A AB CD EF GH.  
ATEX Certification Includes CE Mark.



### Table AB - Size and Material

Option AB	Size	Body Material
12	2"	Aluminum
22	2"	Aluminum w/ Cryo Hood
32, 72	2"	Cast Iron, Ductile Iron
62	2"	316 Stainless Steel
52	2"	Steel
14	3"	Aluminum
24	3"	Aluminum w/ Cryo Hood
34, 74	3"	Cast Iron, Ductile Iron
64	3"	316 Stainless Steel
54	3"	Steel
15	4"	Low Copper Cast Alum.
25	4"	Aluminum w/ Cryo Hood
35, 75	4"	Cast Iron, Ductile Iron
65	4"	316 Stainless Steel
55	4"	Steel
16	6"	Aluminum
26	6"	Aluminum w/ Cryo Hood
36, 76	6"	Cast Iron, Ductile Iron

Option AB	Size	Body Material
66	6"	316 Stainless Steel
56	6"	Steel
17	8"	Aluminum
27	8"	Aluminum w/ Cryo Hood
37, 77	8"	Cast Iron, Ductile Iron
67	8"	316 Stainless Steel
57	8"	Steel
18	10"	Aluminum
28	10"	Aluminum w/ Cryo Hood
38, 78	10"	Cast Iron, Ductile Iron
68	10"	316 Stainless Steel
58	10"	Steel
19	12"	Aluminum
29	12"	Aluminum w/ Cryo Hood
39, 79	12"	Cast Iron, Ductile Iron
69	12"	316 Stainless Steel
59	12"	Steel

